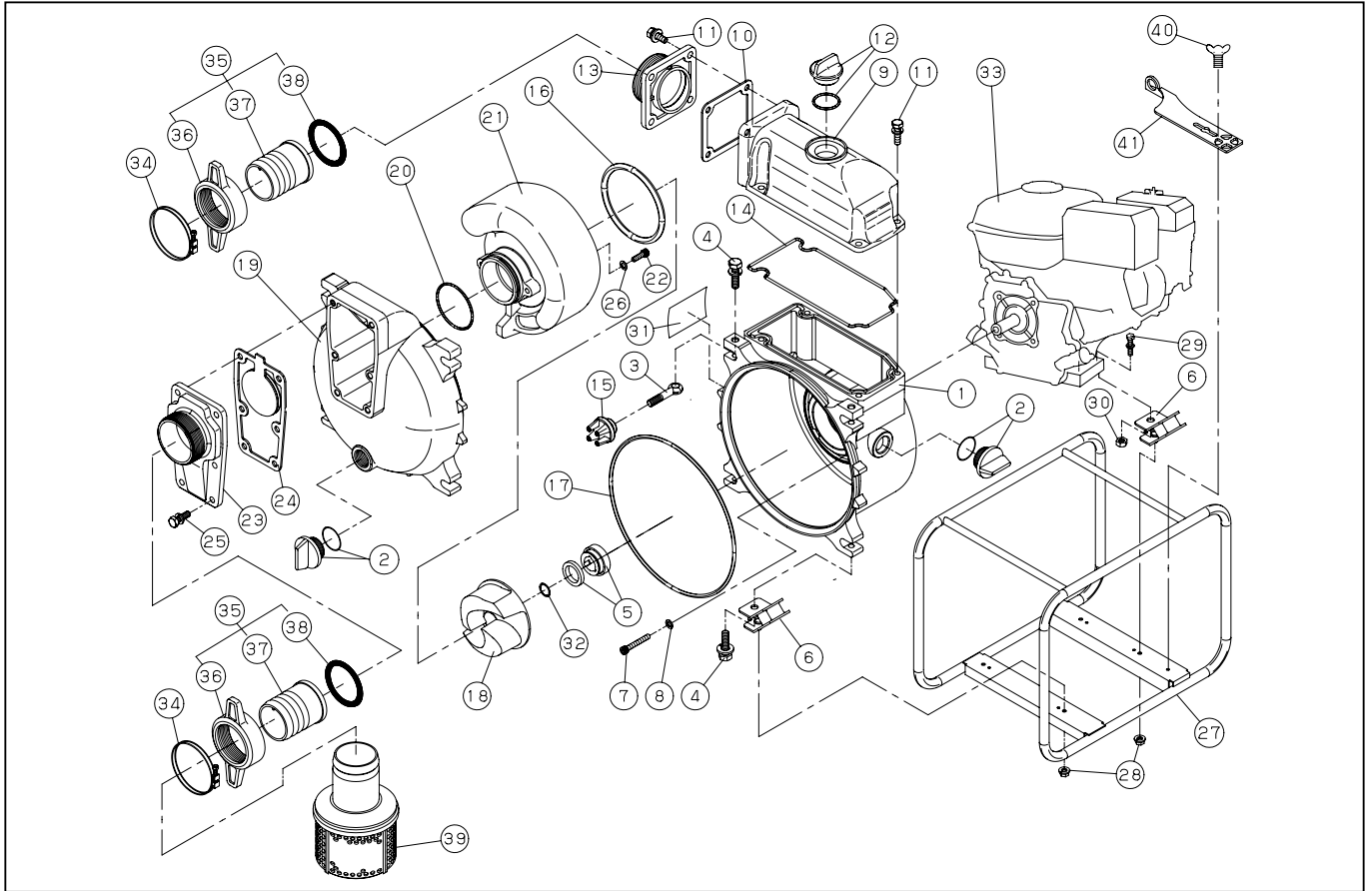


KTH-80X

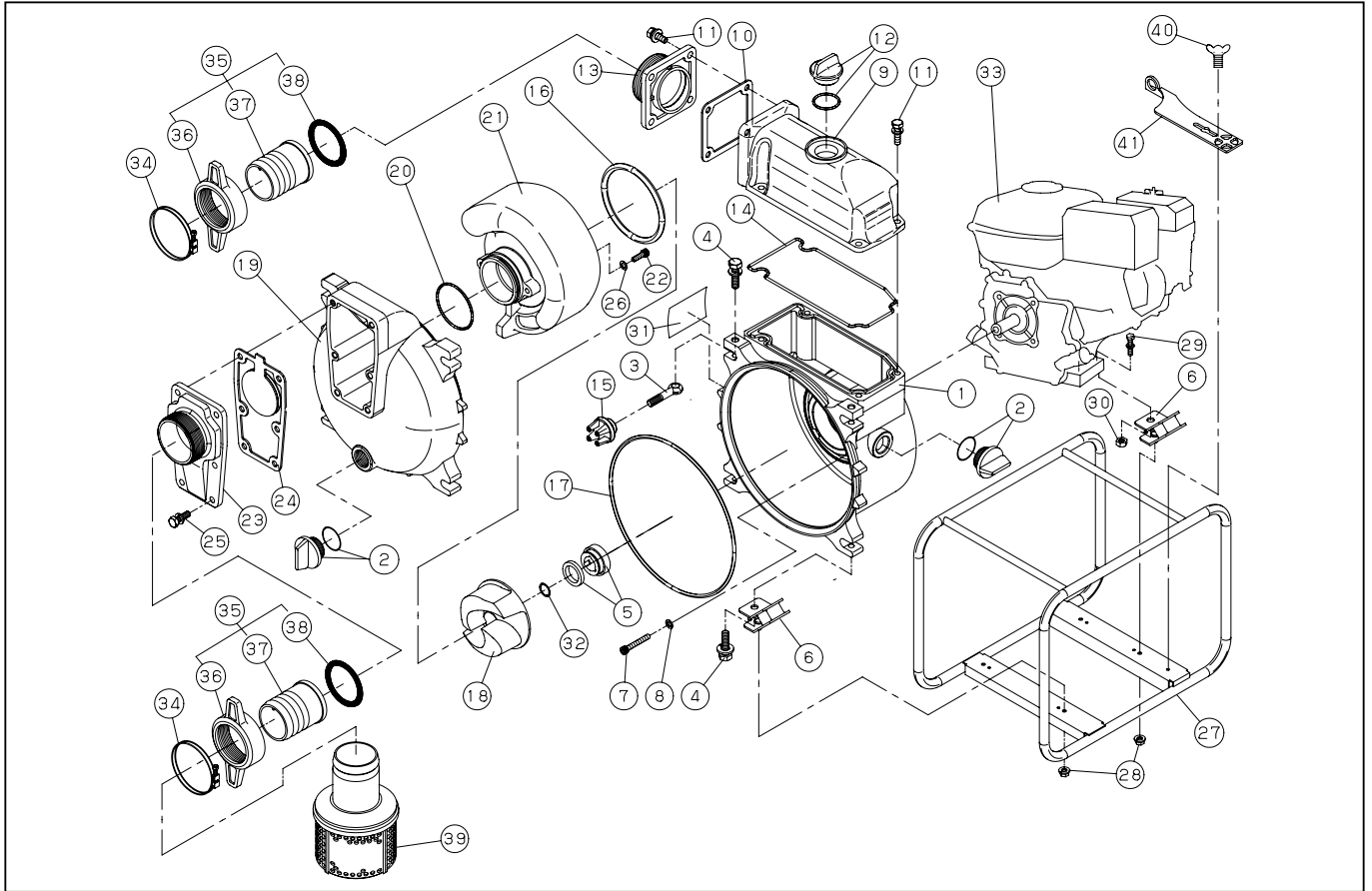


DWG No.012857007 MODEL:KTH-80X FORM:KTH-80X-BAB-0

No.	PARTS CODE	PARTS NAME	QTY	MATERIAL	SIZE	REMARKS
1	011554604	PUMP HOUSING	1	ADC		
2	011807901	25A PLUG SET	2			
3	011558001	COVER BOLT	4	S35C		
4	743119083	HEXAGON BOLT	4	SWRM	M12X45	
5	011567802	MECHANICAL SEAL	1	EH791-25 SICXSIC		
6	011567901	RUBBER MOUNT	4	CR		
7	011651601	SOCKET BOLT	4	SCM	M8X55	
8	011649302	WASHER	4	ALUMINIUM A1100 PH14	φ 8	
9	011554702	DELIVERY HOUSING	1	ADC		
10	011058402	DELIVERY FLANGE PACKING	1	CR		
11	743119063	HEXAGON BOLT	8	SWRM	M10X30	
12	011845001	32A PLUG SET	1			
13	011583801	DELIVERY FLANGE	1	ADC		
14	011554801	HEAD PACKING	1	NBR		
15	011559001	KNOB	4			
16	011557801	CASING PACKING	1	NBR		
17	011557901	FRONT COVER PACKING	1	NBR		
18	011555803	IMPELLER	1	HRFC		
19	011554501	FRONT COVER	1	ADC		
20	011567601	O-RING	1	NBR		
21	011555902	VOLUTE CASING	1	FCD		
22	734505066	HEXAGON SOCKET BOLT	2	SUS	M8X25	
23	011157302	SUCTION FLANGE	1	ADC		
24	011569201	CHECK VALVE PACKING	1	NBR		
25	743119061	HEXAGON BOLT	6	SWRM	M10X25	
26	854255008	SEAL WASHER	2		φ 8	
27	011749401	BASE SET	1			
28	842319008	SPRING NUT	4	SWRM	M8	
29	743119065	HEXAGON BOLT	2	SWRM	M10X35	
30	827419010	HEXAGON NUT	2	SWRM	M10	

◆ Bare engine can not be supplied

KTH-80X



DWG No.012857007 MODEL:KTH-80X FORM:KTH-80X-BAB-0

No.	PARTS CODE	PARTS NAME	QTY	MATERIAL	SIZE	REMARKS
31	011586002	NAME PLATE	1			
32	011008101	IMPELLER ADJUSTING WASHER	3		T0.3	
33	011573802	HONDA ENGINE(WITH ALART)	1	GX240U1WKT2		
34	940407090	HOSE BAND	3		3"	
35	011702802	COUPLING SET	2	ABS		
36	011437502	COUPLING	2	ABS		
37	011030105	HOSE NIPPLE	2	ABS		
38	011437801	COUPLING PACKING	2	NBR		
39	011097803	STRAINER	1	SPC		
40	741305153	WING BOLT	1	SUS	M8X15	
41	011576702	TOOL	1	SPC		
	011585902	PACKING CASE	1	K6W		
	011591103	OPERATION MANUAL	1			
	011471806	CE MARK LABEL	1			
	011471302	CAUTION LABEL	1			
	011473401	ENGINE CAUTION LABEL A	1			
	011473501	ENGINE CAUTION LABEL B	1			
	011482009	DECLARATION	1			
	011641301	EU NOISE LABEL (110)	1			

◆ Bare engine can not be supplied